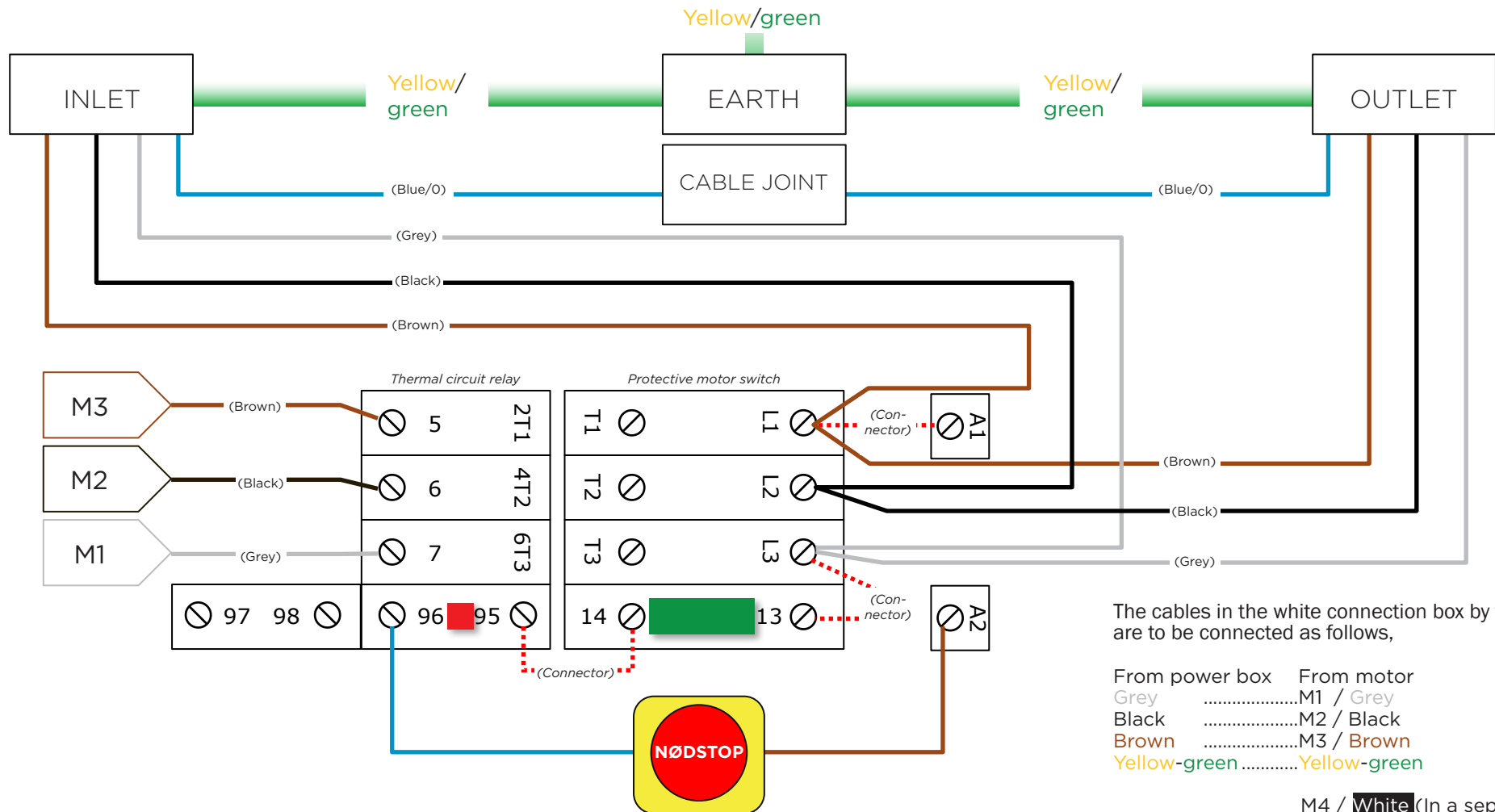


BELT CONVEYORS, 400V, 0.55KW, 2.0-4.5 M



GB-30.10.18



The cables in the white connection box by the motor are to be connected as follows,

From power box	From motor
GreyM1 / Grey
BlackM2 / Black
BrownM3 / Brown
Yellow-greenYellow-green

M4 / **White** (In a sep. cable joint)
M5 / **Blue** (In a sep. cable joint)